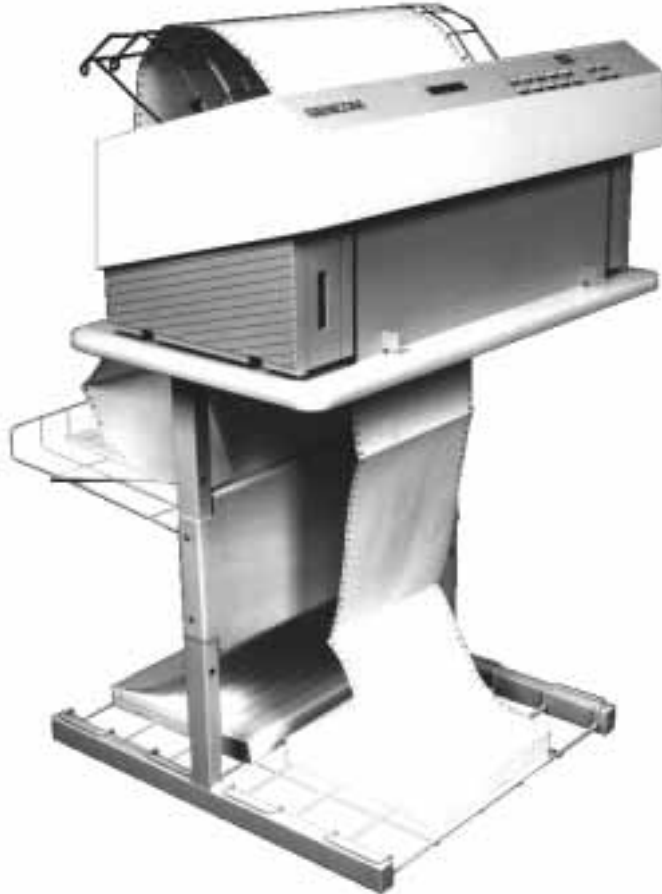


Serial Matrix Printers

GENICOM 3840EP, 3840EM, and 3810S



*When you're using a 3840EP or a 3840EM,
it's like having two printers in one.*

Change Jobs Without Changing Paper (3840EP and 3840EM).

- Patented, dual paper handling system with auto-switching paper paths.
- Load two different continuous forms and switch between them.
- Load two identical continuous forms and run longer print jobs unattended.

Single-Path Alternative (3810S).

- One paper path serves either front or bottom feed.

High-Performance, Multipurpose Printing.

- Handling up to 6-part forms.
- Heavy-duty printing applications.
- Recommended workload: up to 27,000 pages per month.

Features That Make Tough Jobs Easier.

- Automatic forms thickness sensing and adjustment (3840EP only).
- Zero-inch tear-off, automatic paper park, and automatic top of form.
- Control panel lockout feature to prevent unwanted changes in print job.

Fits Your Needs.

- IBM®-compatible models.
- SmartGraphics (IGP/QMS) models.

Typical Applications

- Shared-resource or network environments
- Multipart forms, bar codes, labels
- Warehouse, purchase orders
- Healthcare and retail

GENICOM
Shared Multifaceted Solutions

GENICOM 3840EP, 3840EM, and 3810S

Serial Matrix Printers

Printing

Technology: Serial impact dot matrix

Print Head: 18-pin

Speeds (cps):

	12 cpi	10 cpi	16.7 cpi
DP	600	500	500
LQ	150	125	125

Fonts: Gothic, Courier, Wide Gothic, Gothic Italic, Courier Italic, Micro-Gothic, OCR-A, OCR-B

Bar Codes:

Interleaved 2 of 5, Bidirectional 2 of 5, Matrix 2 of 5, Industrial 2 of 5, Code 3 of 9, EAN-2, EAN-5, EAN-8, EAN-13, Code 11, Code BCD, Codabar a/t, Codabar b/n, Codabar c/*, Codabar d/e, UPC-A, UPC-E, UPC-2, UPC-5, Code 93, Code 128 (A-B-C), MSI, POSTNET

Options: IGP and QMS

Character Sets: DEC® VT100 Line Draw; IBM® Set I, II, and All Character Set; 18 international character set substitution; IBM Code Page – 437, 850, 852, 863; ISO 8859-1, -2, -3, -4, -9; Roman 8; Mazowia (Poland)

Print Modes: Proportional, compressed, shadow, double strike, underline, expanded (2 to 8 times), superscript, subscript, oversize

Head Slew: 50 ips maximum

LF Interval: 35 msec at 6 lpi

Character Spacing: 10, 12, 13, 15, 16.7, 17.1, and 20 cpi, plus program selectable

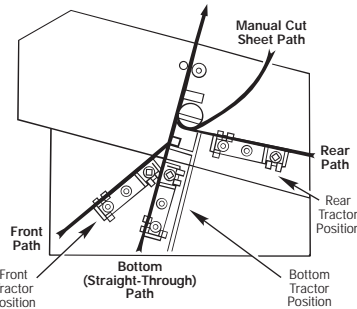
Line Spacing: 3, 4, 6, and 8 lpi, plus n/144 in. program selectable

Print Line: 13.6 in.

Dot Graphic (dpi): 60 to 400H x 72 to 144V (emulation dependent); supports DEC Sixel Graphics

Flexible Paper Handling

	Front/Bottom Feed	Rear/Manual Feed	Forms Thickness Adjust
3840EP	Yes	Yes	Auto
3840EM	Yes	Yes	Manual
3810S	Yes	No	Manual



Paper Handling: Paper parking, auto top of form, zero-inch tear-off, paper out sensor, auto forms thickness adjustment (3840EP)

Paper Drive: 6-pin push tractors

Paper Dimensions: Continuous forms 3" to 16" W x 22" L maximum; single document insertion 3.5" to 17" W x 5" to 17" L with minimum W to L ratio of .45

Number of Copies: Original plus five in both front/bottom and rear paper path

Max. Forms Thickness: 0.025 in.

Paper Slew: 5/15 ips

Print Control

Margins: Left and right any position

Horizontal Tabs: 32*

Vertical Tabs: 12*

Print Position: Absolute and relative HxV head position*

Formats: 4 user-defined forms

Auto-Perf Skip: Selectable auto-perf skip

*Emulation dependent

Emulations

ANSI X3.64, GENICOM 3410, Epson® FX286e, IBM Proprinter III XL, IBM-GP, DEC LA210

Options: IGP and QMS

Interfaces and Connectivity

CENTRONICS® parallel – 36-pin Amphenol; speed: 3Kbytes/sec

EIA/TIA-232 (RS-232) serial – 25-pin type DB female; speeds: 110, 300, 600, 1200, 2400, 4800, 9600, 19200 baud

Input Buffer: 64K

Options: RS-422, IBM Coax/Twinax, TCP/IP, Novell

Physical

Size (HxWxD): 12.1 x 26.9 x 13.9 in. (296 x 683 x 353 mm)

Weight: 52 lbs (23.6 kg)

Acoustics: 55 dBA in quiet mode (3810S: 58 dBA)

Operating Environment

Voltage: 115 or 230 ±15% externally selectable; 50 or 60 Hz ±2 Hz

Power Input:

Standby: 35 watts (120 BTU/Hr)

Printing: 130 watts (433 BTU/Hr)

Temperature: 50° to 104° F (10° to 40° C)

Humidity: 20% to 90% relative

Reliability

MTBF: 10,000 hours @ 25% duty cycle

Workload: Up to 27,000 pages per month

MTTR: 30 min. by a qualified technician

Print Head: 700 million draft characters

Ribbon Life: 15 million draft characters

Ribbon

Type: Cartridge, clean hands, nylon fabric

Life: 15 million draft characters

Warranty

1 year return to depot

Options

Pedestal, paper catch tray, paper basket, output paper rack, RS422 interface

GENICOM is a registered trademark of GENICOM Corporation. All other company and product names are trademarks or registered trademarks of their respective owners. Specifications are subject to change without notice. Copyright © 1998 GENICOM

For more information, contact GENICOM at:

United States	1-800-GENICOM	Germany	49-6196-65990
Australia	61-2-9417-6411	Italy	39-2-253041
Belgium	32-2-712-6270	Singapore	65-28-64240
Canada	800-268-0464	Spain	34-1-351-48-99
Denmark	45-42-421120	Sweden	46-31-876-500
France	33-1-69-542-317	United Kingdom	44-1252-744400

Contact us on the internet: www.genicom.com (U.S.)
www.genicom.ca (Canada)
info@genicom-intl.com (International)



As an Energy Star Partner, GENICOM has determined that this product meets the Energy Star guidelines for energy efficiency.



GENICOM
 Shared Multifaceted Solutions

14800 Conference Center Drive
 Suite 400
 Chantilly, VA, U.S.A.
 20151-3820